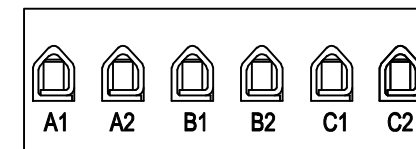
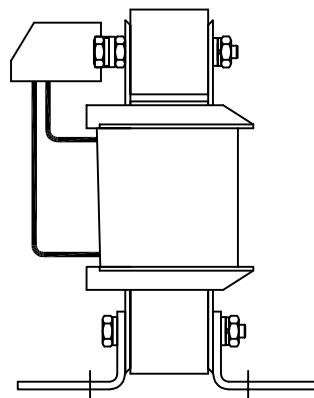
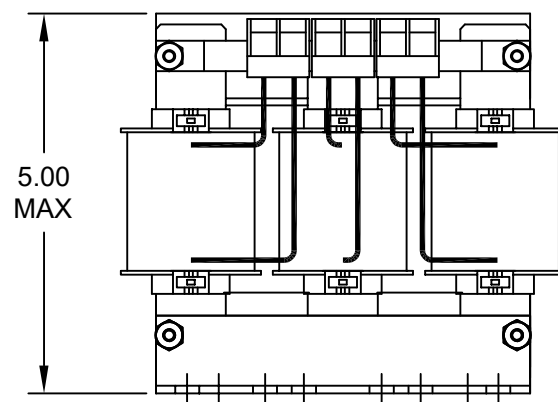
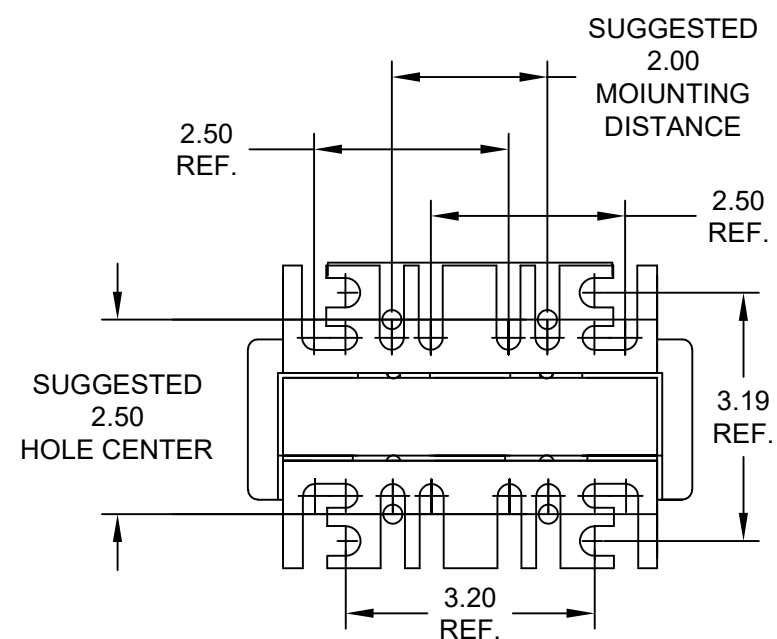


CATALOG NO	VOLTS(V.)	_mH±10%	_AMPS(A)	APPROX WT-LBS	TORQUE(LB-IN)
IN16A	240 - 575	1.38	16	8	20



NOTE: A1, A2, B1, B2, C1, C2,
MARKINGS ON TERMINAL BLOCK.
FOR REFERENCE ONLY.

Block Wire Range: #18 to #4 AWG Solid or Stranded, Copper
Tightening Torque: 20 LB-IN



(C) COPYRIGHT 2018. THIS DRAWING AND ALL INFORMATION CONTAINED IS THE PROPERTY OF INDUSTRY SOLUTIONS INTERNATIONAL, INC.

ISI Industry Solutions
International, Inc.

561-5 Plate Dr., East Dundee, IL 60118-2467 USA
Phone: (847) 836-8844 Fax: (847) 428-9379

CUSTOMER:

INDUSTRY SOLUTIONS INTERNATIONAL, INC.
561-5 PLATE DRIVE
EAST DUNDEE, IL. 60118